

FAG

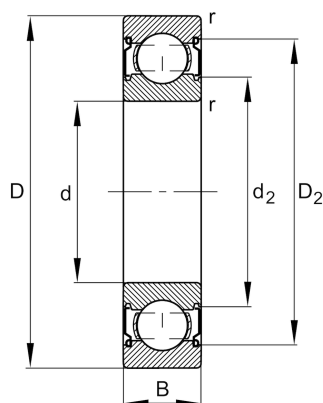
**6001-C-2Z**

Deep groove ball bearing

Schaeffler ID:  
0954047160000

Deep groove ball bearing 60...-C-2Z, single row, Generation C, shields, steel sheet metal cage

## Technical information

**Main Dimensions & Performance Data**

d	12 mm	Bore diameter
D	28 mm	Outside diameter
B	8 mm	Width
$C_r$	5.900 N	Basic dynamic load rating, radial
$C_{0r}$	2.370 N	Basic static load rating, radial
$C_{ur}$	164 N	Fatigue load limit, radial
$n_G$	36.000 1/min	Limiting speed
$n_{gr}$	26.000 1/min	Reference speed
	0,021 kg	Weight

**Dimensions**

$r_{min}$	0,3 mm	Minimum chamfer dimension
$D_2$	25,1 mm	Caliber diameter outer ring
$d_2$	15,7 mm	Caliber diameter inner ring

**Mounting dimensions**

$d_{amin}$	14 mm	Minimum diameter shaft shoulder
$D_{amax}$	26 mm	Maximum diameter of housing shoulder
$r_{amax}$	0,3 mm	Maximum fillet radius

**Calculation factors**

$f_0$	13,1	Calculation factor
-------	------	--------------------

**Temperature range**

$T_{min}$	-20 °C	Operating temperature min.
$T_{max}$	120 °C	Operating temperature max.

